

## Messing magneetventiel 2/2 direct gestuurd

Productnummer **8157**

Geschikt voor de maten van 3/8" tot en met 1/2"

### Presentation:

Direct acting S.V. for interception of fluids compatible with the construction materials.

Minimum operational pressure is not required.

The materials used and the tests carried out ensure maximum reliability and duration.

**Use:** Automation  
Heating

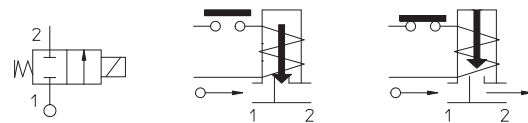
**Pipes:** G 3/8 - G 1/2

**Coils:** 8W - Ø 13  
BDA - BSA 155°C (class F)  
BDV 180°C (class H)  
12W - Ø 13  
UDA 155°C (class F)  
14W - Ø 13  
GDH - GDV 180°C (class H)  
(1) Explosion-proof housing for coils with electrical connections EN 175301-803 on request.



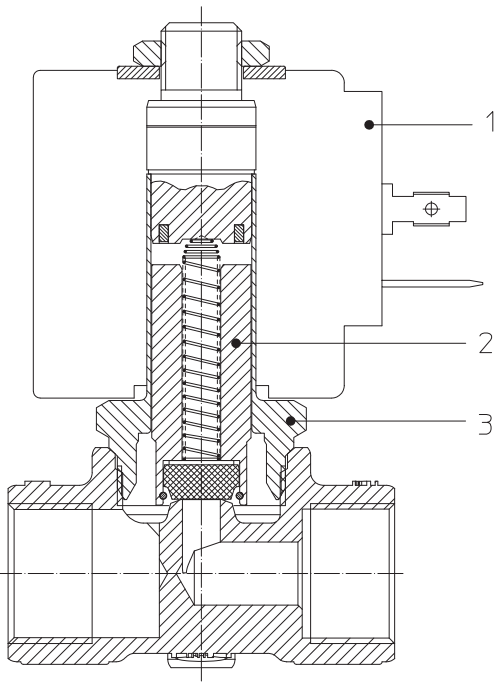
**COIL HOUSING AND COIL FORMER MATERIAL ARE MADE BY 100% VIRGIN MATERIAL.**

Gaskets	Temperature		Medium
V=FKM (fluoroelastomer)	- 10°C	+140°C	Mineral oils (2°E), gasoline gas oil, fuel oils (7°E)
B=NBR (nitrile rubber)	- 10°C	+ 90°C	Air, inert gas, water



Pipe ISO 228/1	Max viscosity		Ø mm	Kv l/mn	Power watt	Pressure		
	cSt	°E				min bar	M.O.P.D.	
							AC bar	DC bar
G 3/8	53	~ 7	4,5	6,5	8	0	5	2
					12		12	7
					14		8	8
			5,5	9	8		3	1
					12		7	2,5
					14		10	5
G 1/2	53	~ 7	4,5	6,5	8	0	5	2
					12		12	7
					14		8	8
			5,5	9	8		3	1
					12		7	2,5
					14		10	5

# Messing magneetventiel 2/2 direct gestuurd



**Materials:**

- Body** Brass - UNI EN 12165 CW617N
- Armature tube** Stainless steel AISI series 300
- Fixed core** Stainless steel AISI series 400
- Plunger** Stainless steel AISI series 400
- Phase displacement ring** Copper - Cu 99,9%
- Spring** Stainless steel AISI series 300
- Seal** Standard: V=FKM  
On request: B=NBR

**Orifice**

Brass - UNI EN 12165 CW617N

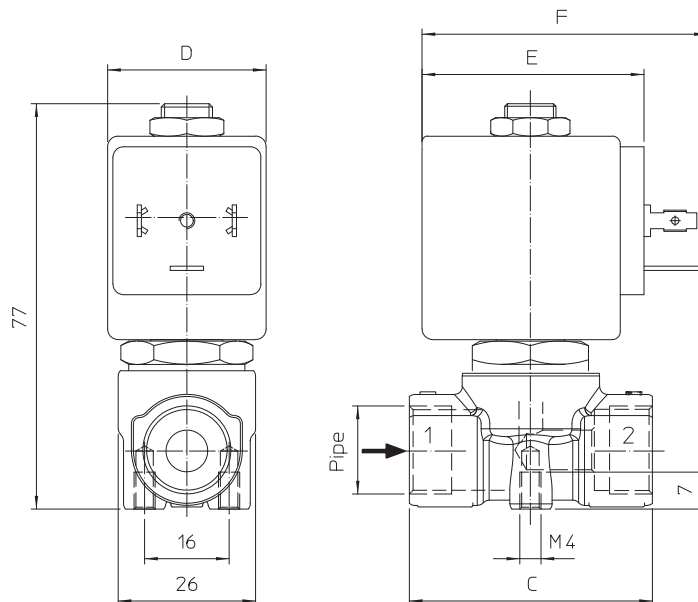
**On request:**

- Connector** Pg 9 or Pg 11
- Connector conformity** ISO 4400

**Features:**

- Electrical conformity** IEC 335
- Protection degree** IP 65 EN 60529 (DIN 40050)  
with coil fitted by connector.

**Dimensions:**



Pipe ISO 228/1	C mm
G 3/8	46
G 1/2	58

COIL TYPE	POWER ABSORPTION			DIMENSIONS		
	W ---	Hold VA ~	Inrush VA ~	D mm	E mm	F mm
B	8	14,5	25	30	42	54
U	12	23	35	36	48	60
G	14	27	43	52	55	67